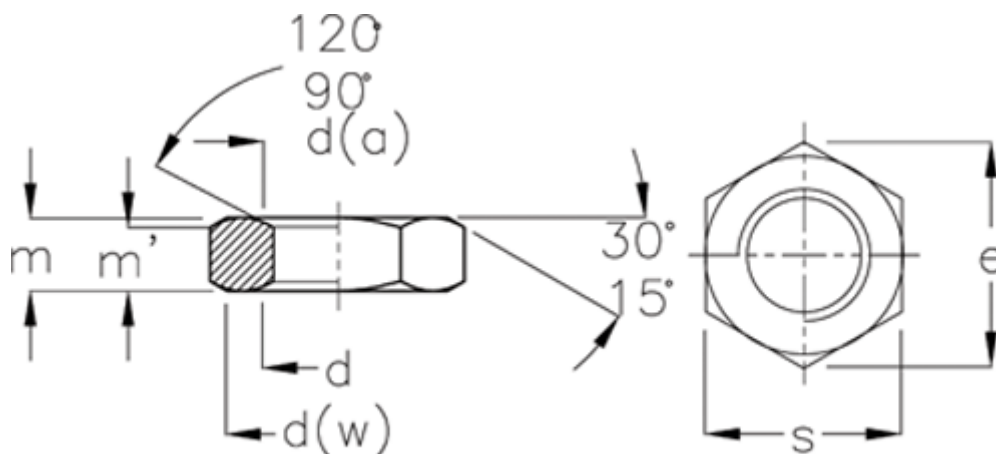


Article number: 20160511

Description: Lock nut ISO 8675 B-M10x1 Bronzed

Measures



d	= M10	$m \text{ min}$	= 4.70
$d1 \text{ max}$	= 10.8	$s \text{ max}$	= 16
$d1 \text{ min}$	= 10	$s \text{ min}$	= 15.73
$d2$	= M10	Thread pitch	= 1.0
$d3$	= 1.0	w	= 14.63
e	= 17.77		
m	= 3.76		
$m \text{ max}$	= 5		